

Frese Combination Ball Valve

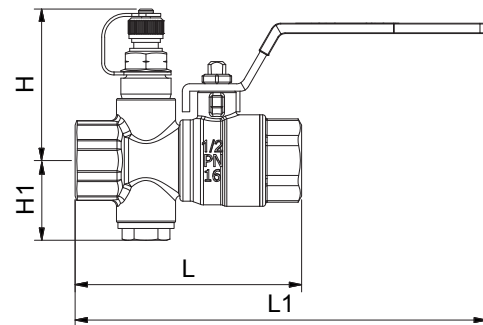
Description

Full flow ball valves with handle for cooling and heating systems.



Technical data

Valve Housing:	DZR Brass
Gasket:	PTFE
Pressure rating	PN16
Temperature:	See temperature and pressure diagram
Connections:	ISO 228

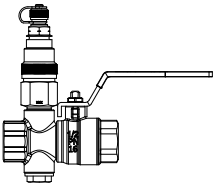


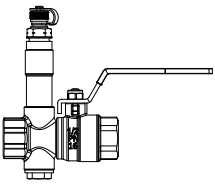
Product programme

Female/Female with 1" P/T-plug	Frese no.	Dimension	L (mm)	L1 (mm)	H (mm)	H1 (mm)
	48-5700	DN15	77	139	51	27
	48-5705	DN20	85	146	54	30
	48-5710	DN25	87	142	57	33
	48-5715	DN32	101	196	62	37
	48-5720	DN40	110	194	65	40
	48-5726	DN50	126	232	70	46
Female/Female with 1/2" drain valve	Frese no.	Dimension	L (mm)	L1 (mm)	H (mm)	H1 (mm)
	48-1037	DN15	77	139	60	27
	48-1047	DN20	85	146	63	30
	48-1057	DN25	87	142	66	33
	48-1067	DN32	101	196	71	37
	48-1077	DN40	110	194	74	40
	48-5727	DN50	126	232	79	46
Female/Female with 3/4" drain valve	Frese no.	Dimension	L (mm)	L1 (mm)	H (mm)	H1 (mm)
	48-2037	DN15	77	139	60	27
	48-2047	DN20	85	146	63	30
	48-2057	DN25	87	142	66	33
	48-2067	DN32	101	196	71	37
	48-2077	DN40	110	194	74	40
	48-2727	DN50	126	232	79	46

Frese Combination Ball Valve

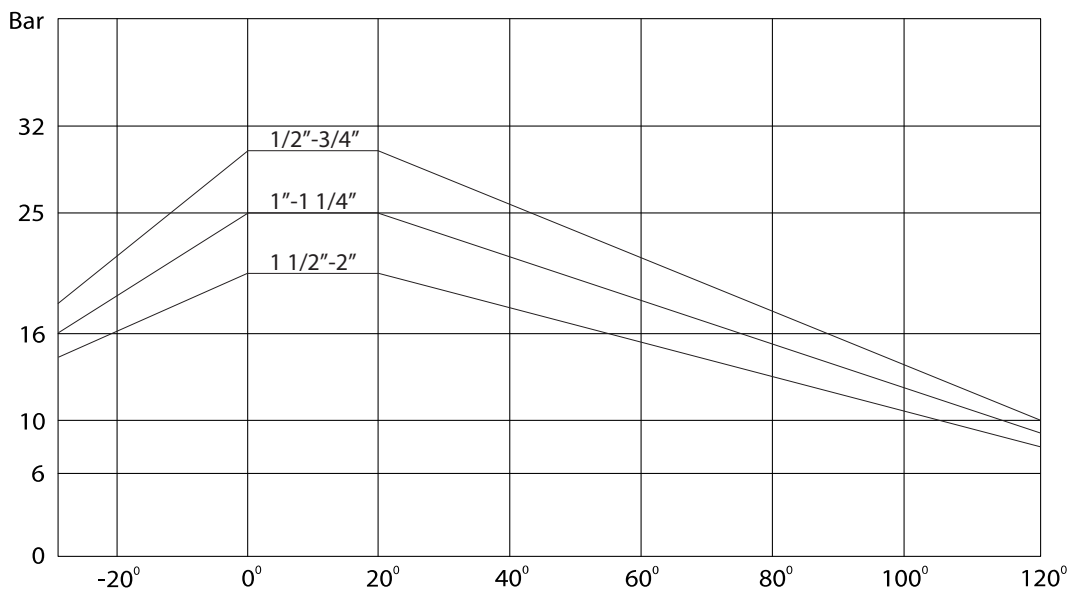
Product programme

Female/Female with combi-drain	Frese no.	Dimension	L (mm)	L1 (mm)	H (mm)	H1 (mm)
	48-5702	DN15	77	139	91	27
	48-5707	DN20	85	146	94	30
	48-5712	DN25	87	142	97	33
	48-5717	DN32	101	196	102	37
	48-5722	DN40	110	194	105	40
	48-5728	DN50	126	232	110	46

Female/Female with 2" P/T-plug	Frese no.	Dimension	L (mm)	L1 (mm)	H (mm)	H1 (mm)
	48-5701	DN15	77	139	88	27
	48-5706	DN20	85	146	91	30
	48-5711	DN25	87	142	94	33
	48-5716	DN32	101	196	99	37
	48-5721	DN40	110	194	102	40
	48-5729	DN50	126	232	107	46

Pressure temperature diagram

At each pressure level corresponds a specific admissible temperature level and vice versa



Frese A/S assumes no responsibility for errors, if any, in catalogues, brochures, and other printed matter. Frese A/S reserves the right to modify its products without prior notice, including already ordered products, if this does not alter existing specifications. All registered trademarks in this material are the property of Frese A/S. All rights reserved.

Frese A/S
 Sorøvej 8
 DK- 4200 Slagelse
 Tel: +45 58 56 00 00
 Fax: +45 58 56 00 91
 info@frese.dk