

# Insulation Covers

MODULA Pro-series, DN15-DN25

## Description

The insulation covers have been designed specifically for the insulation of MODULA Pro-series bypass units.

The use of insulation on valves can result in reduced thermal loss and improved energy economy.

## Application

For MODULA Pro-series applications with OPTIMA Compact pressure independent control valves only.



## Benefits

- Easy installation and removal - no retaining straps are required
- Robust material allows reuse
- The valve can be adjusted with the insulation mounted
- Reduces thermal heat loss
- Easy access to PT plugs without the need to remove the insulation

## Features

- Fire resistance of material according to DIN 4102-1: B2 fire rating
- Resistant to most chemicals - will not be attacked by dry rot or mold
- Does not absorb moisture
- Flow indication arrows clearly visible

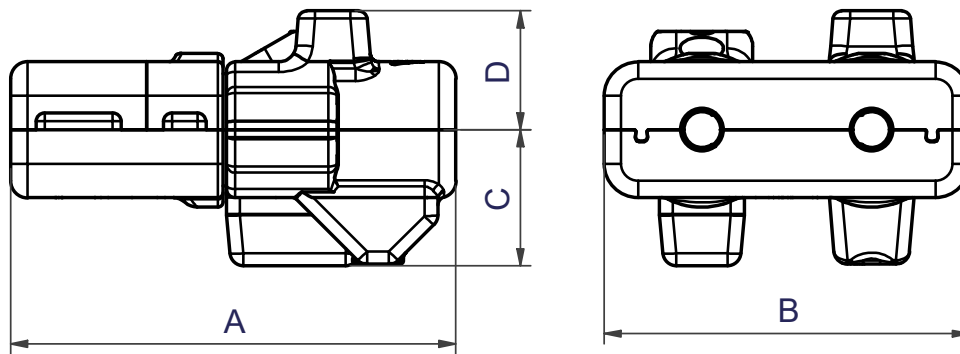
# Insulation Covers

MODULA Pro-series, DN15-DN25

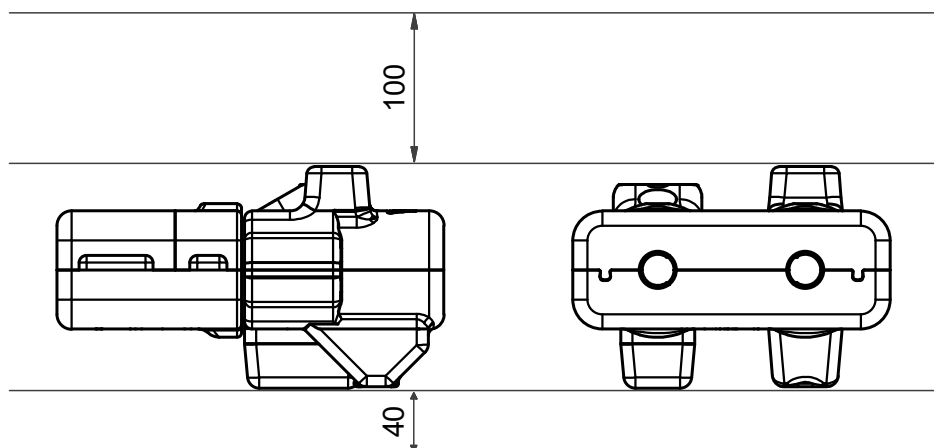
## Technical data

- Material:** EPP (Expanded Polypropylene)
- Water absorption:** < 2.5 vol % at 20 °C
- Temperature range:** 0 °C to 90 °C
- Material insulating property:** Lambda = 0.039 W/mk
- Density:** 60 g/l
- Fire resistance of material according to:**
  - EN ISO 11925-2: E
  - DIN 4102-1: B2
  - FMVSS302: Fulfilled
  - UL94: HBF

## Dimensions



mm	DN15	DN20	DN25	DN25L
A	262	259	292	292
B	215	215	215	215
C	70	95	70	82
D	80	79	98	98




When installing Frese MODULA Pro-series the specified distances above and below the insulation covers need to be secured to enable the assembly of these.

# Insulation Covers

MODULA Pro-series, DN15-DN25

## Product programme

MODULA Pro-series insulation*	MODULA dimension	Insulation Covers Frese no.
	DN15	38-0883
	DN20	38-0884
	DN25	38-0885
	DN25L	38-0886

\*MODULA Pro-series insulation covers are for OPTIMA Compact PICVs only.

## Compatibility

The insulation covers are compatible for the below Frese MODULA Pro-series variants

60		MODULA Pro-series	
1		Right hand version and extension handles cooling	
2		Left hand version and extension handles cooling	
3		Right hand version and extension handles heating	
4		Left hand version and extension handles heating	
1		DN15 - 100 mm	
2		DN20 - 100mm	
3		DN25 - 100mm	
1		Strainer with drain 1" P/T- plug	
AV	DN15 LF 2.5 Veriflow	AP	DN15 LF 2.5 PT
BV	DN15 HF 2.5 Veriflow	BP	DN15 HF 2.5 PT
CB	DN15 LF 5.0	DB	DN15 HF 5.0
CV	DN15 LF 5.0 Veriflow	CP	DN15 LF 5.0 PT
DV	DN15 HF 5.0 Veriflow	DP	DN15 HF 5.0 PT
EV	DN20 2.5 Veriflow	EP	DN20 2.5 PT
FB	DN20 5.0	GB	DN20 5.5
FV	DN20 5.0 Veriflow	FP	DN20 5.0 PT
GV	DN20 5.5 Veriflow	GP	DN20 5.5 PT
HB	DN25 5.5	HP	DN25 5.5 PT
HV	DN25 5.5 Veriflow	IP	DN25L 5.5 PT
IB	DN25L 5.5		
IV	DN25L 5.5 Veriflow		
A		Couplings on piping side	
60	X	X	1
XX	A		
MODULA Pro-series	Valve type	Size/Center distance	Flow side component
		OPTIMA Compact valve	Couplings



Frese A/S assumes no responsibility for errors, if any, in catalogues, brochures, and other printed matter. Frese A/S reserves the right to modify its products without prior notice, including already ordered products, if this does not alter existing specifications. All registered trademarks in this material are the property of Frese A/S. All rights reserved.

Frese A/S  
Tel: +45 58 56 00 00  
info@frese.dk