

APR-2000ALW

Differential Pressure Transmitter

Application

The APR-200ALW Differential Pressure Transmitter is designed for marine installations and other industrial applications - such as cooling water installations.

The Differential Pressure Transmitter is applicable to the measurement of differential pressure of gases, vapours and liquids.

The active element is a piezoresistant silicon sensor separated from the medium by separating diaphragms and a specially selected type of manometric fluid.

Smart Differential Pressure Transmitter APR-2000 ALW is used to measure differential pressure across constrictions such as valves, filters and orifices.



Benefits

- The design of the casing enables the use of a local display, rotation of the display, rotation of the casing by 0–340° relative to the sensor
- May be fitted with a range of types of process connectors, which enables them to be used in a variety of conditions such as thick or highly reactive media, high and low temperatures

Features

- Nominal measuring range: 0...16 Bar
- Measuring set range: 0...3 Bar (Calibrated range in relation to 4...20 mA output)
- 4...20 mA output signal + HART 5 / HART 7 protocol
- Display with backlight
- Safety version SIL2/SIL3
- Intrinsic safety certificate ATEX, IECEx, FM (USA, Canada)
- Explosion proof certificate ATEX, IECEx, FM (USA, Canada)
- Programmable zero range, shift, characteristic and damping ratio with local panel keys
- Static pressure limit up to 250 bar
- Accuracy 0,075 %
- Marine certificate – DNV, BV
- Gold plated diaphragms
- Wetted parts material 316L/Hastelloy C276

APR-2000ALW

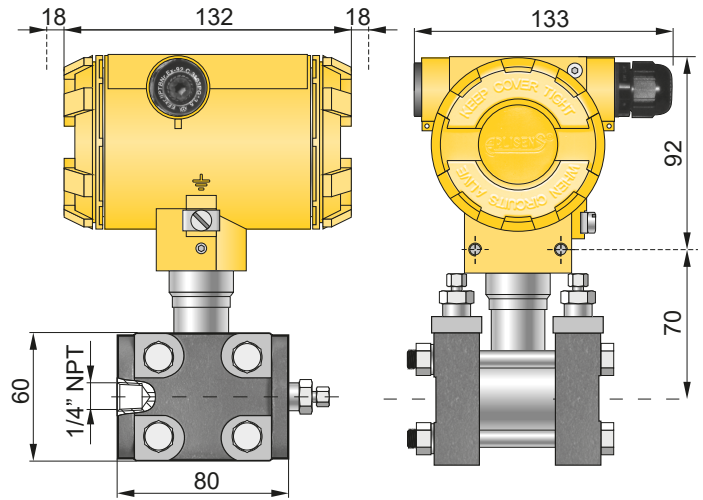
Differential Pressure Transmitter

Technical data APR 200ALW

Materials

- Wetted parts:** AISI 316L
- Diaphragms:** AISI 316L
- Casing:** Aluminium
- Window:** Hardened glass
- Static pressure limit:** 250 Bar
- Differential pressure limit:** 16 Bar
- Operating amb. temp. range:** -25...85 °C
- Medium temperature range:** -25...120 °C
- Accuracy of calibrated range:** ±0,075 %
- Power supply:** 10...55 VDC
- Output signal:** 4...20 mA + HART
- Load resistance:** $R[\Omega] < \frac{U_{sup}[V] - 10 V}{0.0225 A}$

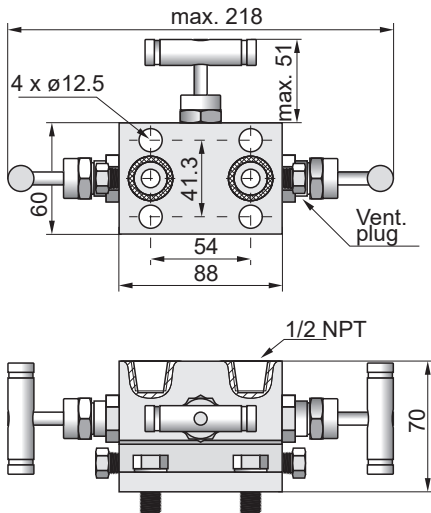
- Resistance for communication:** Min. 240 Ω
- Measuring set range:** 0...3 Bar (4...20 mA)
Output at 0 Bar -> 4 mA,
Output at 3 Bar -> 20 mA



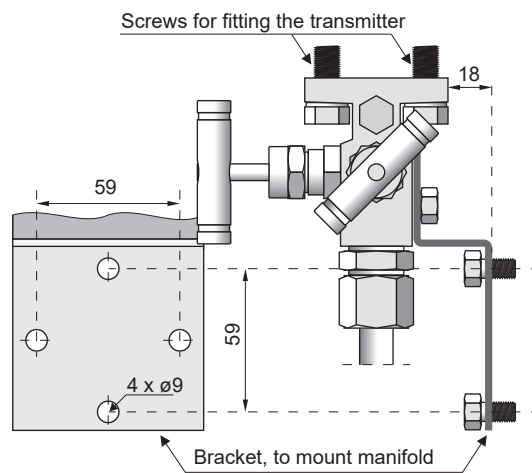
APR 200ALW

Technical data APR Manifold

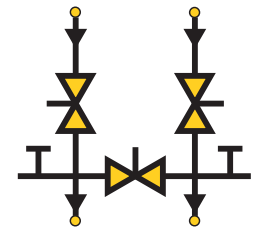
- Materials:** AISI 316L
- Static pressure limit:** 420 Bar
- Pin packing:** PTFE/Graphite
- Weight:** 1.8 kg



APR manifold



Manifold bracket



Manifold connection diagram


Product Programme

Description	Measuring set range	Frese no.
APR-200ALW Bar	0...3 Bar	58-8969
APR manifold with bracket and bolts for mounting	-	07-21405

APR-2000ALW

Differential Pressure Transmitter

Accessories

Description		Frese no.
Frese SIGMA DN15 High Flow		53-2201

Frese A/S assumes no responsibility for errors, if any, in catalogues, brochures, and other printed matter. Frese A/S reserves the right to modify its products without prior notice, including already ordered products, if this does not alter existing specifications. All registered trademarks in this material are the property of Frese A/S. All rights reserved.

Frese A/S
Tel: +45 58 56 00 00
info@frese.dk