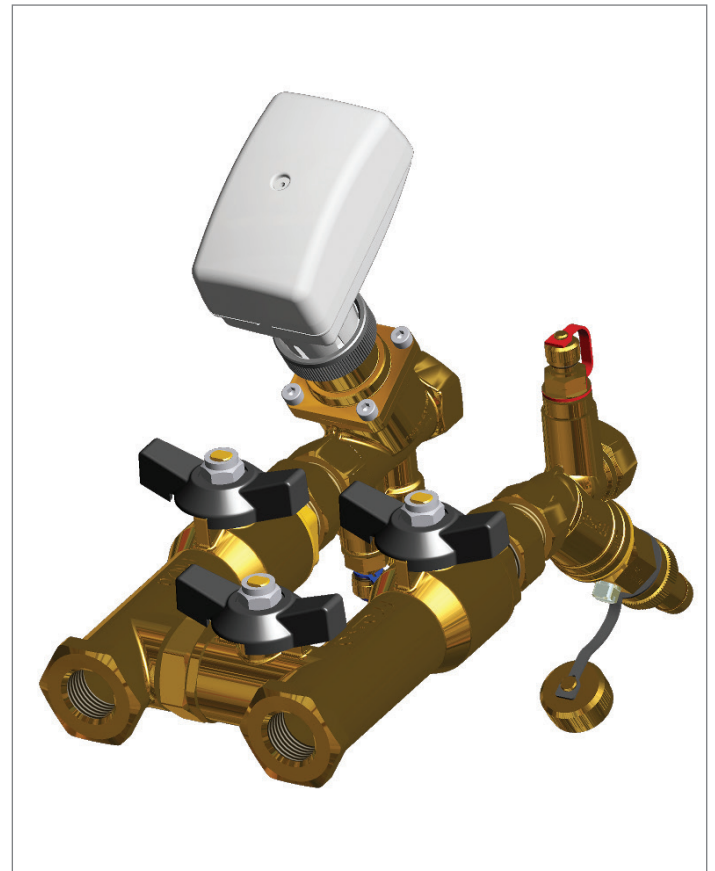


## Frese MODULA PRO Bypass Unit

### Description

Frese MODULA PRO is a compact and versatile valve system that combines the Frese range of Pressure Independent Control Valves (PICV) with isolation, flushing, draining and measurement components within a prefabricated, tested and ready to install terminal bypass unit.

Each unit can be supplied with isolation valves, strainer, drain/hose connection & P/T plug.



### Benefits

The Frese MODULA PRO assembly combines the many benefits of the Frese OPTIMA Compact in addition to:

#### Design benefits

- Minimized design time and risks due to the complete solution
- Guaranteed performance of the complete system

#### Installation benefits

- Compact design for limited space availability
- Minimized installation and commissioning costs
- Allows easy flushing and coil isolation
- Easy lagging of spindle extensions
- Simple attachment to existing hangers
- Integrated fitting lug for ease of installation

#### Operation benefits

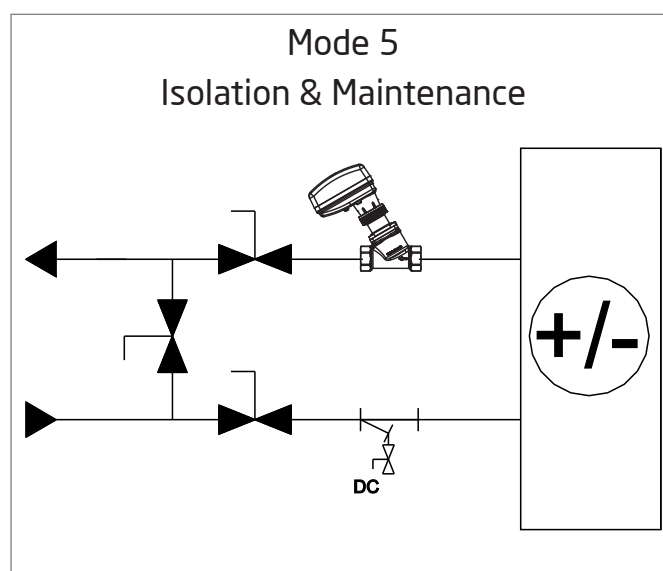
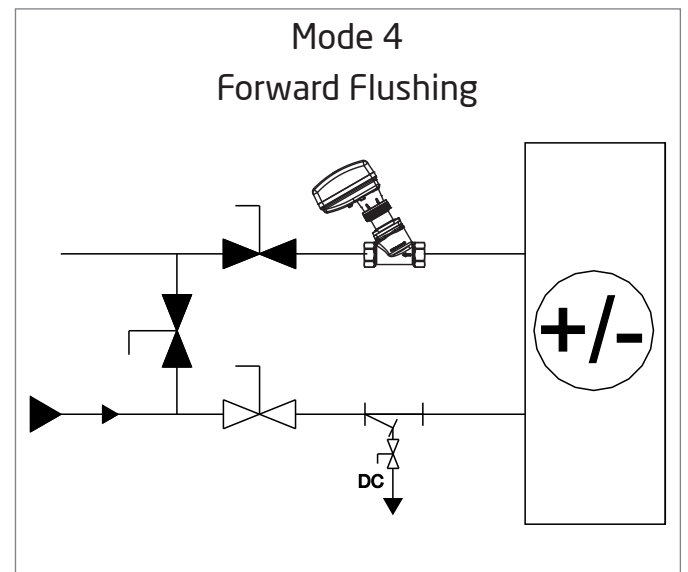
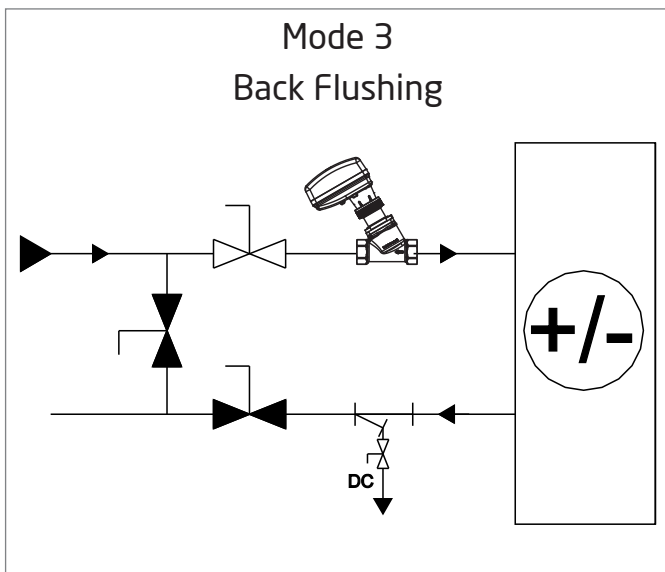
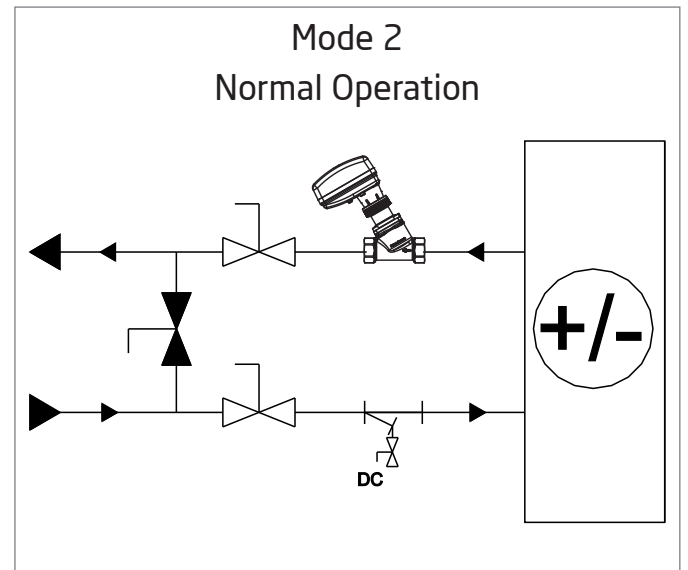
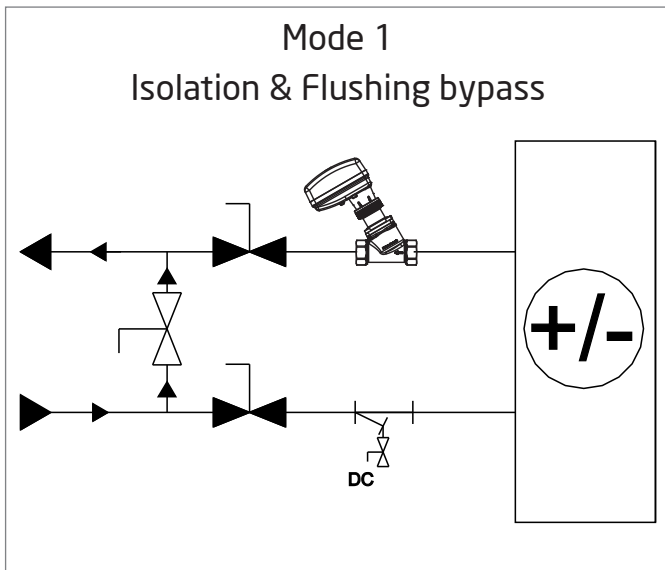
- High comfort with minimized operation and maintenance costs

Further information on the Frese OPTIMA Compact, please refer to the relevant Technotes.

### Features

- Available in DN15, DN20, DN25 and DN32
- Available with 80 mm, 130 mm or 170 mm supply/return centres. For DN32 only 185 mm is available
- Integrated union joints for easy valve alignment
- Three T-handle isolation valves for flow, return and bypass. Full port valves on flow and return
- Spindle extensions available
- Combinations with strainer, drain/hose connection, P/T plug available

## Frese MODULA PRO Bypass Unit



## Frese MODULA PRO Bypass Unit

55	MODULA PRO									
7	Frese OPTIMA Compact									
V	Frese OPTIMA Compact Veriflow									
1	DN15 - 80mm *	4 DN15 - 130mm *								
2	DN20 - 80mm *	5 DN20 - 130mm *								
3	DN25L - 80mm *	6 DN25L - 130mm *								
A	DN25 - 80mm *	B DN25 - 130mm *								
		C DN25 - 170mm *								
F	DN32 - 185mm									
1	T-piece with 1" P/T-plug + drain and hose									
2	T-piece with 1" P/T-plug + drain, hose and extension handle									
3	Strainer with 1" P/T-plug + drain and hose									
4	Strainer with 1" P/T-plug + drain, hose and extension handle									
5	T-piece with 1" P/T- plug/plug									
6	T-piece with 1" P/T- plug/plug and extension handle									
7	Strainer with 1" P/T- plug/plug									
8	Strainer with 1" P/T- plug/plug and extension handle									
A	T-piece with 1" P/T-plug + drain and hose (Left hand mount)									
B	T-piece with 1" P/T-plug + drain, hose and extension handle (Left hand mount)									
C	Strainer with 1" P/T-plug + drain and hose (Left hand mount)									
D	Strainer with 1" P/T-plug + drain, hose and extension handle (Left hand mount)									
E	T-piece with 1" P/T-plug/plug (Left hand mount)									
F	T-piece with 1" P/T-plug/plug and extension handle (Left hand mount)									
G	Strainer with 1" P/T-plug/plug (Left hand mount)									
H	Strainer with 1" P/T-plug/plug and extension handle (Left hand mount)									
X	Coupling with male connection loosely mounted on right side. Standard handles									
Y	Coupling with male connection loosely mounted on right side. Extension handles									
1	1" P/T Plug on valve									
2	2" P/T Plug on valve									
3	Plug									
L	Low									
H	High									
A	2,5 mm stroke	Kvs (STBV)								
C	5.0 mm stroke									
D	5.5 mm stroke									
55	X	-	X	X	-	X	-	X	-	
Valve			Size/Center	Modula III combination		Valve plug		Flow/Pressure		Type

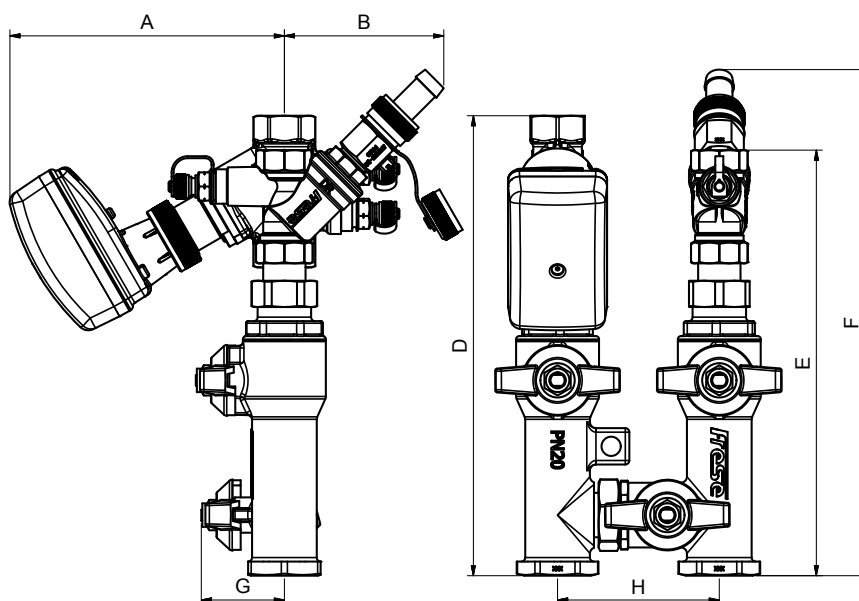
\*) The products will be discontinued in 2021, and replaced by Frese MODULA

Example of order combination: **557-12-1-L-A**

## Frese MODULA PRO Bypass Unit

### Technical data

**Material:** DZR Brass, CW602N  
**O-rings:** EPDM  
**Pressure class:** PN20  
**Medium temperature range:** 0°C to 120°C

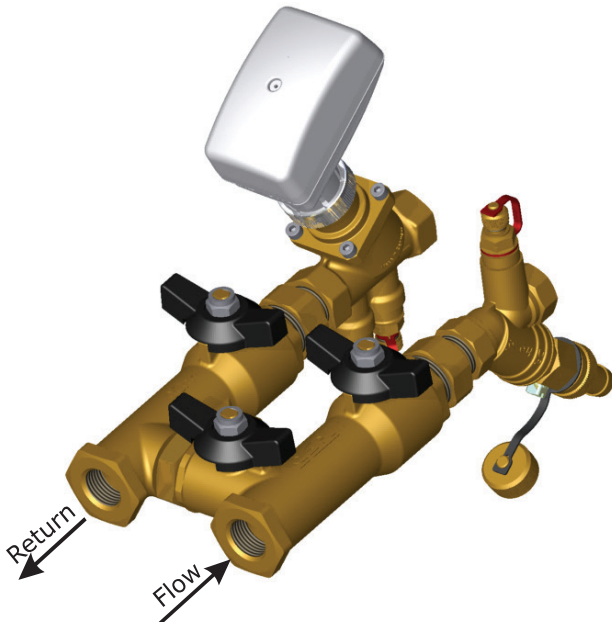


Frese MODULA PRO - Frese OPTIMA Compact

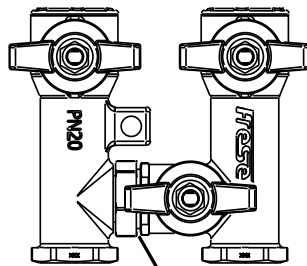
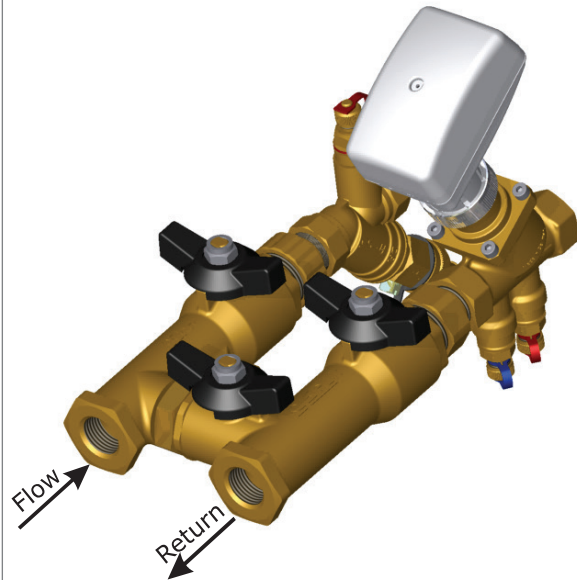
Dimensions [mm]	DN15	DN20	DN25	DN25L	DN32
<b>A</b>	117	117	120	135	154
<b>B</b>	79	87	97	97	89
<b>D</b>	229	233	237	254	325
<b>E</b>	211	230	257	257	325
<b>F</b>	249	266	293	293	327
<b>G</b> Std Handle/ <b>Ext Handle</b>	41/ <b>88</b>	41/ <b>88</b>	41/ <b>88</b>	41/ <b>88</b>	48/ <b>95</b>
<b>H</b>	80/130/170				185

## Frese MODULA PRO Bypass Unit

Right hand version OPTIMA Compact



Left hand version OPTIMA Compact



**NOTE:**  
**CENTER CONNECTION JOINTS**  
**SHOULD NOT BE DISASSEMBLED**  
**AS THIS CAN DAMAGE THE**  
**INTERNAL SEAL**

### Specification text Frese MODULA PRO:

The valve system shall combine a Pressure Independent Control Valve with a fixed 80 mm, 130 mm or 170 mm distance supply/return component. For DN32 the distance shall be 185 mm.

The bypass unit shall have three integral isolation valves a PT Drain or PT strainer on the supply side.

The bypass unit shall have a pressure class of PN20.

The medium temperature range shall be 0°C to 120°C.

Frese A/S assumes no responsibility for errors, if any, in catalogues, brochures, and other printed matter. Frese A/S reserves the right to modify its products without prior notice, including already ordered products, if this does not alter existing specifications. All registered trademarks in this material are the property of Frese A/S. All rights reserved.

Frese A/S  
Sorøvej 8  
DK- 4200 Slagelse  
Tel: +45 58 56 00 00  
info@frese.dk