

# Frese HCR PT-Plugs

## Application

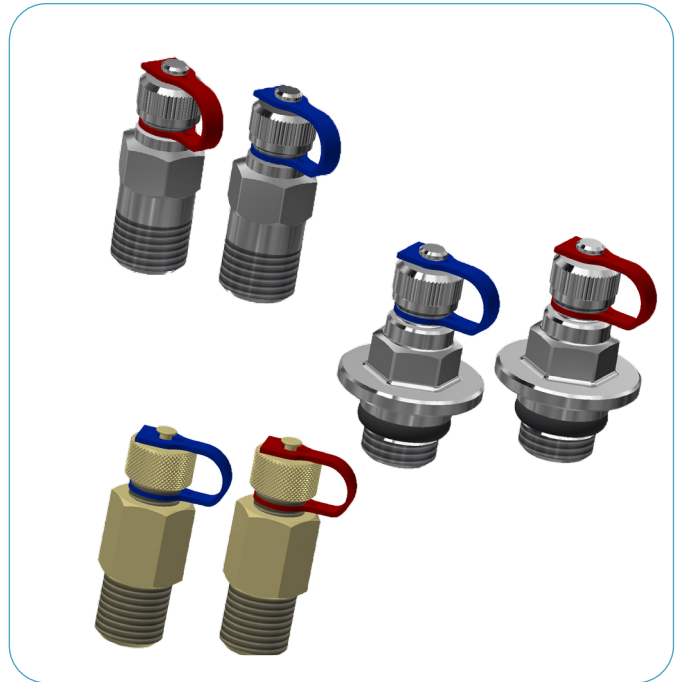
Frese HCR P/T plugs are installed in Frese HCR valves and are used for measuring pressure and temperature. The P/T plugs are designed for flowmeters or pressure meters using needle system.

## Benefits

- Quick and easy measurement
- Self sealing after removing needle

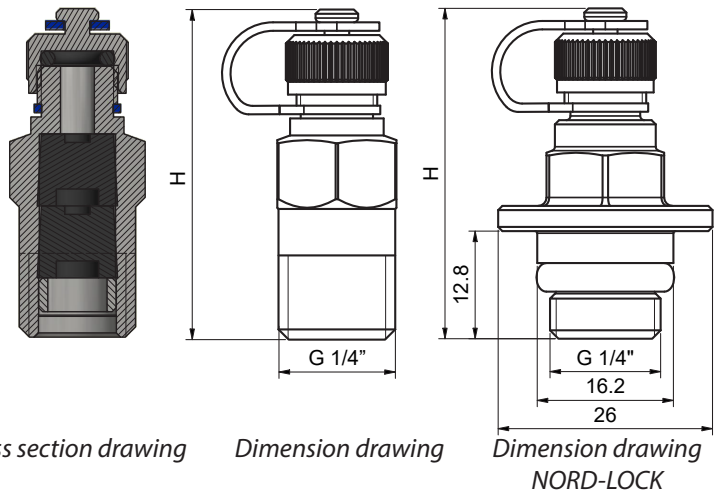
## Features

- Different materials
- Double internal sealing (See cross section drawing)
- Thread for mounting in the valve: G 1/4"
- Thread for cap: G 1/8"
- Can be mounted using 14mm wrench
- Delivered with 2 PT Plugs (Red & Blue) in each pack
- PT Plugs NORD-LOCK are designed to withstand extreme vibrations using NORD-LOCK original wedge-locking solution (NORD-LOCK type: NL16ss - M16)



## Technical data

**Material housing & cap:** See table below  
**O-rings:** EPDM  
**Sealing:** EPDM  
**Pressure class:** PN25  
**Suitable needle dimensions:** Diameter: 2-3 mm  
 Length: 30-40 mm



## Types and dimensions

	Frese no.	Type	H [mm]	Material Temperature	Strap colour	Weight pr item [kg]
	48-0043	P/T plug 1"	39	AISI 316 -20 to +120°C	Red/Blue	0.027
	48-0044 *	P/T plug 1" NORD-LOCK	39	AISI 316 -8 to +135°C	Red/Blue	0.035
	48-0045	P/T plug 1"	42	NiAlBr -20 to +120°C	Red/Blue	0.032

\*) Please contact Frese about use with Frese Products.

Frese A/S assumes no responsibility for errors, if any, in catalogues, brochures, and other printed matter. Frese A/S reserves the right to modify its products without prior notice, including already ordered products, if this does not alter existing specifications. All registered trademarks in this material are the property of Frese A/S. All rights reserved.

Frese A/S  
 Tel: +45 58 56 00 00  
 info@frese.dk